



USES



Bleach



Remove stains



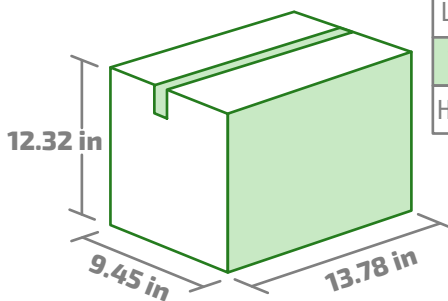
Eliminate bad smells

TECHNICAL DATA

BOTTLE NET CONTENT	2.00 / 67.63	L / fl. oz
GROSS BOTTLE WEIGHT	2.22 / 4.89	Kg / lb
PIECES PER CASE	6	pcs
GROSS CASE WEIGHT	13.65 / 30.09	Kg / lb
CASES PER LAYER	13	pcs
NUMBER OF LAYERS	5	
CASES PER PALLET	65	pcs
GROSS PALLET WEIGHT	902.3 / 1,989.2	Kg / lb

BOTTLE BAR CODE	CASE BAR CODE
 7 4 1 1 2 0 0 0 0 7 1 5	 1 074112 000071 2

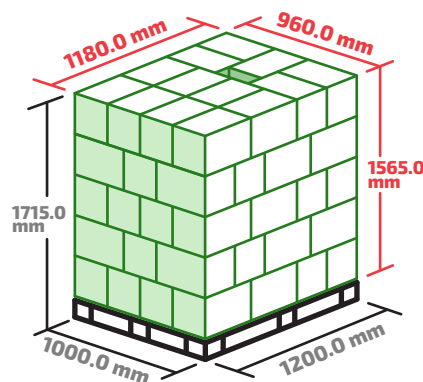
2L CASE



DIMENSIONS

Large:	350 mm / 13.78 in
Width:	240 mm / 9.45 in
Height:	313 mm / 12.32 in

TECHNICAL DATA PALLET



PALLET

Layers / pallet:	5
Cases / pallet:	65
Gross weight:	902.3 Kg / 1,989.2 lb